

# WPS2900 SERIES

MASS NOTIFICATION  
WARNING PRODUCTS

---

Our Mass Notification Products Speak for Themselves



**WHELEN**  
MANUFACTURED IN AMERICA





# WPS2900 SERIES

**WHELEN**  
MANUFACTURED IN AMERICA

## MASS NOTIFICATION WARNING PRODUCT

### A.I.D...ALERT, INFORM & DIRECT

The basic purpose of a Mass Notification product is to ALERT through a tone, INFORM & DIRECT through voice. If your current siren system is only producing a tone, then it's only doing half of the job.

The most effective way to warn the public is to issue a tone warning and follow it with a clear, deliberate and powerful voice message. This three step approach, ALERT, INFORM & DIRECT will eliminate confusion, restore order and most importantly, save lives.

Our WPS2900 Series accomplishes this in three ways. One is to ALERT, the other is to INFORM & DIRECT through omni-directional tone and voice warning.

Our WPS2900 Series delivers voice warning and broadcasting of unequalled clarity at uniform power levels (+-1dB) throughout 360°

Ten models serve a wide variety of applications as shown here in ratio to a person's size.



Whelen Engineering Company, Inc.

**WARNING:** This product may contain chemicals known to the State of California to cause cancer and birth defects or other reproductive harm. For more information, visit [whelen.com/regulatory](http://whelen.com/regulatory).





# WPS2900 SERIES



## MASS NOTIFICATION WARNING PRODUCT

### WHELEN'S 2900 SERIES

#### SIX STANDARD WARNING TONES

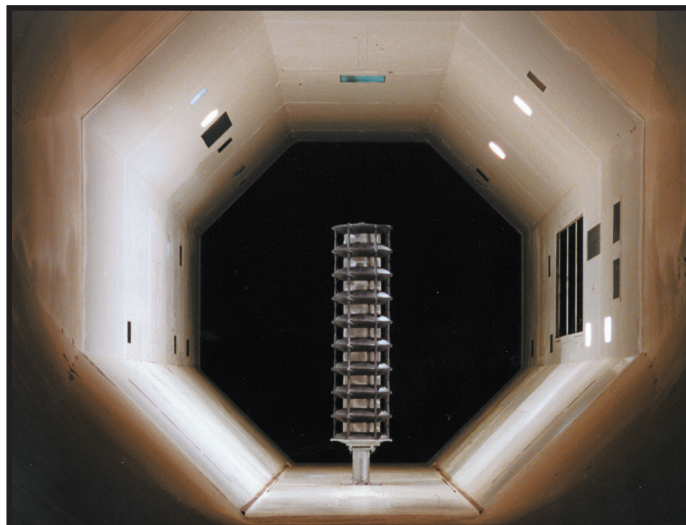
TONE	TONE SYMBOL	FREQUENCY	SWEEP RATE
WAIL		410 - 675	4 sec/1 sec
ALERT		560	Steady
HI/LO		465/650	.8 sec/.8 sec
ATTACK		410 - 490	1 sec/1 sec
AIR HORN		465 - 650	Modulated/1.6 sec
WHOOOP		300 - 465	3



Whelen 400 Watt Speaker Driver shown with Standard 100 Watt Speaker Driver.

### WHELEN EZ-PULL™ SPEAKER DRIVER

Notice in these photos how easy it is to remove a 2900 Series speaker driver. Each speaker cell uses one EZ-PULL 400 watt driver, eliminating distortion and power loss that occurs from mixing the outputs of multiple speaker drivers in a cell - as found in competitive products. The EZ-PULL driver is Whelen Engineering's latest innovation. A handled plate connected to our 400 watt driver is an industry first. Serviceability has never been easier!



Whelen **WPS2900 Series** products are **wind-tunnel tested** to insure performance and reliability in the most trying conditions.

Whelen Engineering Company, Inc.

**WARNING:** This product may contain chemicals known to the State of California to cause cancer and birth defects or other reproductive harm. For more information, visit [whelen.com/regulatory](http://whelen.com/regulatory).



# WPS2900 SERIES



## SPECIFICATIONS

### PRODUCT FEATURES

- Choice of one to ten omni-directional speaker cells assembled in a vertical column
- Ten models, 400 Watts to 4,000 Watts
- All WPS2900 speaker cells include our high efficiency 400 watt EZ-PULL speaker drivers
- 50' (15.24m) cable included
- Pole top mounting bracket included
- Two or three compartment natural finish aluminum cabinet or stainless steel
- Public address capability, live voice and pre-recorded messages
- Battery powered, minimum of 30 minutes of full power output with batteries of our recommendation
- AC temperature compensated "tri-mode" 10 amp battery charger
- Local controls or remote controls
- Independent power amplifiers, one per 400 watt speaker driver
- Electronic controller
- Tone generator timer
- Local control push buttons
- SLIDEOUT™ battery tray
- RDVM1G - Digital voice 1-28 message capability
- Battery switch

### PRODUCT OPTIONS

- L31H\*F4 - Top Cell of 2900 Series high dome warning beacon, 24 VDC
- VALERT\* - VisuAlert™ omni-directional visual LED warning lighting
- SBC280 - Solar power <sup>1</sup>  
Alternate tone set
- WPSBATT - Delco S2000 or Interstate Workaholic 31-MHD batteries
- WPSNCMIC - Noise canceling microphone

NOTES:

- <sup>1</sup> Solar power option includes Two - 80 watt panels, mounting bracket and regulator
- \* Specify color A=Amber, B=Blue, R=Red, C=White/Clear
- BLACK type in the "callout ■" indicates a Whelen model number

### ACTIVATION CONTROLS

Our VHF High and UHF activation control packages include the following:

- Radio
- Radio interface
- Tone or digital squelch
- 3-5dB Gain omni-directional antenna with bracket
- 35' (10.67m) of RG58 antenna cable
- Polyphaser
- SI TEST®
- Low battery alarm (two-way only)

Other features are dependent upon one or two-way controls. Whelen equipment can be interfaced with many different types of two-way radio communications products and systems from ACE, Motorola's MOSCAD, FSK, including 800Mhz trunking, Narrow-Band and VHF.

The following is available as standard options. Contact factory for special applications.

#### ONE-WAY CONTROLS

- AUXIN - Auxiliary board for contact closure activation
- D2030LL - 10 digit DTMF landline activation
- D2030NV - 10 digit DTMF VHF High-Band Narrow-Band / 138-174 Mhz
- D2030NU - 10 digit DTMF UHF Narrow-Band / 450-470 Mhz
- WPSTTU - Two-tone sequential option

#### TWO-WAY CONTROLS

- AUXCS - Two-way contact closure activation and status board
- C2030LL - Two-way landline activation
- C2030NV - 10 Digit DTMF VHF High-Band Narrow-Band / 138-174 Mhz
- C2030NU - 10 digit DTMF UHF Narrow-Band 450-470 Mhz

#### OPTIONS:

- STATUS - Cabinet window LED Status Indicator
- PGINT - Paging interface to interface Whelen audio, voice and tones with existing paging systems
- INTRUWPS - Intrusion alarm (available with two-way only)





# WPS2900 SERIES

**WHELEN**  
MANUFACTURED IN AMERICA

## SPECIFICATIONS

### LIVE PUBLIC ADDRESS AND PRE-RECORDED MESSAGES

ALERT and INFORM! This two-step procedure is accomplished through live public address and pre-recorded voice messages. Notify YOUR community, base or campus with messages specific to YOUR needs.

- Live public address standard
- From 1 to 28 verbal messages and musical renditions of varying lengths may be programmed into all modules
- Variable length messaging standard

### SI TEST®

Only Whelen's diagnostic silent test, SI TEST, fully exercises the system without disturbing the public. Diagnostic SI TEST information includes the following:

- AC power On/Off
- DC power at operational levels
- Partial speaker driver / power amplifier operation
- Full speaker driver / power amplifier operation

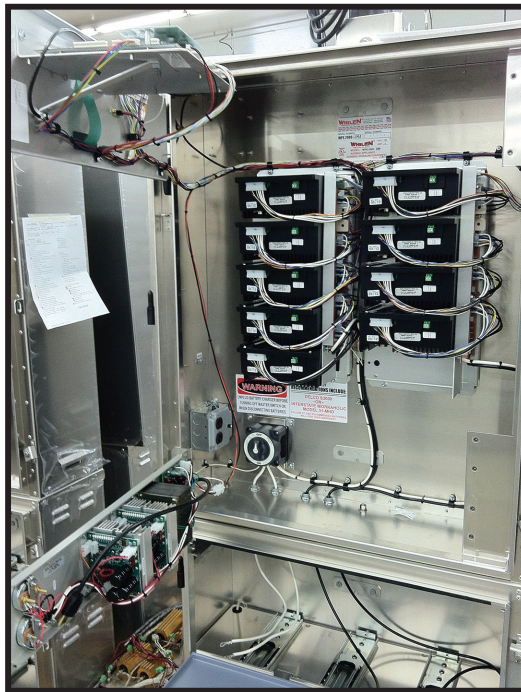


L31HRF4



VALERTR Visual Warning

SBC280 Solar Power Option



Type II Electronics Assembly detail.



Whelen 2900 Type III Cabinet with "SLIDEOUT" battery trays.

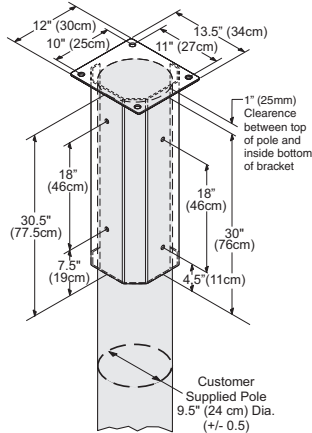
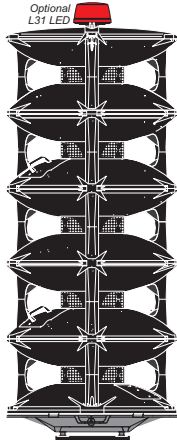
Whelen Engineering Company, Inc.

**⚠ WARNING:** This product may contain chemicals known to the State of California to cause cancer and birth defects or other reproductive harm. For more information, visit [whelen.com/regulatory](http://whelen.com/regulatory).

# WPS2900 SERIES

**WHELEN**  
MANUFACTURED IN AMERICA

## SPECIFICATIONS



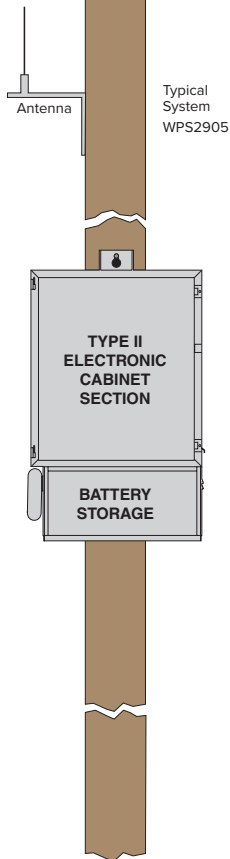
### POLE TOP BRACKET

The pole top bracket for the WPS2900 Series is furnished in a natural finish, core-ten steel. The pole top bracket will accept a utility pole having up to a 10" top diameter.



Whelen WPS2910 installed on site in Columbus, Georgia.

### WPS2900 SERIES SPECIFICATIONS



ELECTRONIC MODEL	SYSTEM WATTAGE		HEIGHT Inches (CM)	WIDTH Inches (CM)	SPEAKER ELECTRONIC			
	TO NE AUDIO	VOICE AUDIO			DEPTH Inches (CM)	ASSEMBLY WEIGHT lbs. (KG)	CABINET WEIGHT lbs. (KG) <sup>4</sup>	CABINET TYPE
WPS2901	400	500	18.8 (47.75)	33.4 (84.8)	—	119 (53.97)	132 (59.9) <sup>2</sup>	Type II
WPS2902	800	1000	31.2 (79.24)	33.4 (84.8)	—	168 (76.20)	139 (63.1) <sup>2</sup>	Type II
WPS2903	1200	1500	43.6 (110.74)	33.4 (84.8)	—	217 (98.42)	147 (66.7) <sup>2</sup>	Type II
WPS2904	1600	2000	56.0 (142.24)	33.4 (84.8)	—	266 (120.65)	154 (69.9) <sup>2</sup>	Type II
WPS2905	2000	2500	68.4 (173.73)	33.4 (84.8)	—	315 (142.88)	162 (73.4) <sup>2</sup>	Type II
WPS2906	2400	3000	80.8 (205.23)	33.4 (84.8)	—	388 (175.99)	171 (77.5) <sup>3</sup>	Type III
WPS2907	2800	3500	93.2 (236.72)	33.4 (84.8)	—	437 (198.22)	218 (98.9) <sup>3</sup>	Type III
WPS2908	3200	4000	105.6 (268.22)	33.4 (84.8)	—	487 (220.89)	225 (102.1) <sup>3</sup>	Type III
WPS2909	3600	4500	118.0 (299.72)	33.4 (84.8)	—	535 (242.67)	233 (105.7) <sup>3</sup>	Type III
WPS2910	4000	5000	130.4 (331.21)	33.4 (84.8)	—	584 (264.89)	240 (108.9) <sup>3</sup>	Type III
Electronics Cabinet Type II <sup>1</sup> (Aluminum) <sup>4</sup> (WPS2901 to 5)	—	—	60.50 (153.67)	33.20 (84.33)	12.0 (30.50)	—	—	—
Electronics Cabinet Type III <sup>1</sup> (Aluminum) <sup>5</sup> (WPS2906 to 10)	—	—	74.5 (189.23)	33.20 (84.33)	12.0 (30.50)	—	—	—
Pole Top Bracket	—	—	30.5 (77.47)	12.0 (30.50)	13.5 (34.30)	—	—	—

Equipment is configured for 120 VAC input power, other input voltages supplied upon request. <sup>1</sup> A 6.00" wide mounting channel adds 3.50" in height and 2.00" in depth. <sup>2</sup> Batteries for Type II Cabinet add 115 lbs. (52.16 kg) <sup>3</sup> Batteries for Type III Cabinet add 230 lbs. (104.32 kg) <sup>4</sup> Type II stainless cabinet option adds 58 lbs. (26.30 kg) <sup>5</sup> Type III stainless cabinet option adds 80 lbs. (36.29 kg) Pallets, boxes and skids add weight. Check with Whelen if a freight quote is needed.

**WARNING:** This product may contain chemicals known to the State of California to cause cancer and birth defects or other reproductive harm. For more information, visit [whelen.com/regulatory](http://whelen.com/regulatory).





# WPS2900 SERIES

**WHELEN**  
MANUFACTURED IN AMERICA

## PRODUCT SUPPORT

"Our Mass Notification Products Speak for Themselves™"

### PRODUCT SUPPORT

At Whelen Engineering, we not only design and manufacture the best warning products available, we stand behind every product we make. For a copy of our warranty, email us at [iowserv@whelen.com](mailto:iowserv@whelen.com). Whelen products are pre-assembled, pre-wired and tested at our facility to ensure product quality and reliability.

If you're interested in the most reliable, the most up-to-date warning products -- and the service that comes with it - give us a call. Find out why Whelen Engineering is "The First Name In Mass Notification".

A product specification sheet with installation details is available for each WPS2900 Series Mass Notification Product.



Testing Station



2900 Series Speakers Assembly



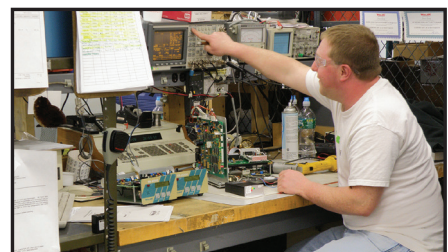
SBC280 Solar Power Option



Type II Cabinet Assembly



Type III Cabinet Assembly



Repair Facility

**WARNING:** This product may contain chemicals known to the State of California to cause cancer and birth defects or other reproductive harm. For more information, visit [whelen.com/regulatory](http://whelen.com/regulatory).

# WPS2900 SERIES

MASS NOTIFICATION  
WARNING PRODUCTS

---

Our Mass Notification Products Speak for Themselves



@WhelenENG

